

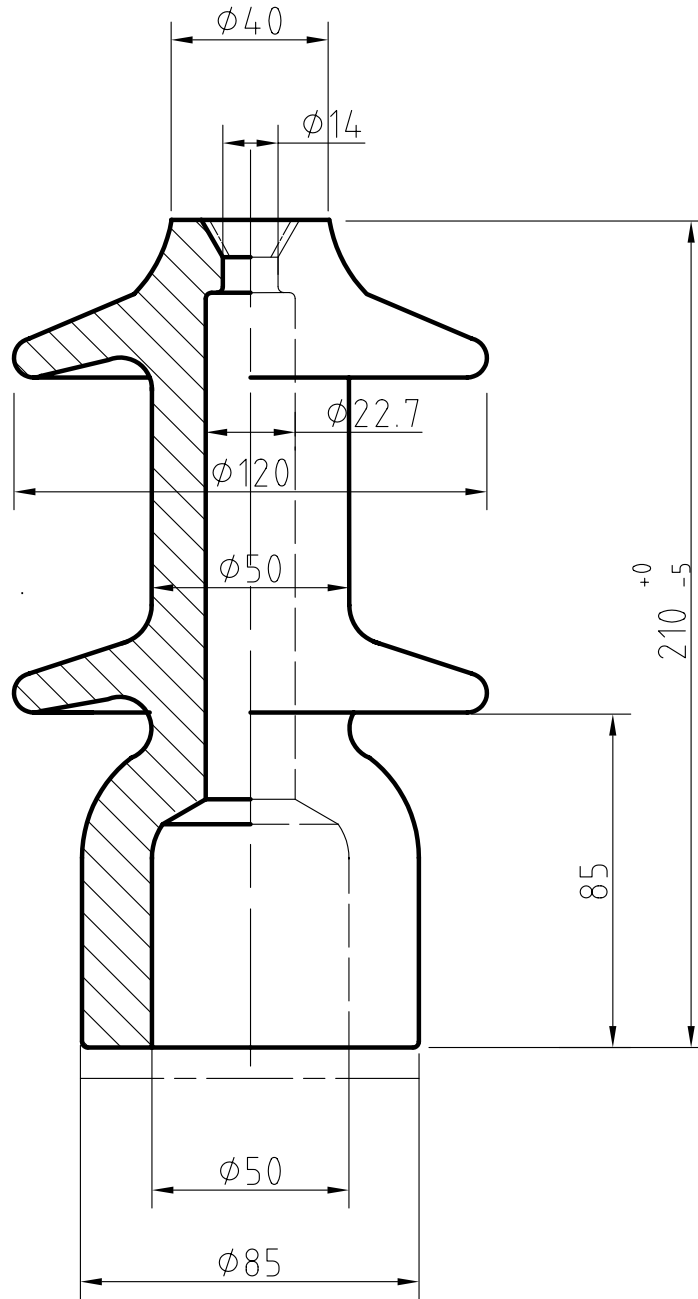
Material: Porcelain C100 acc to IEC 672-3

Color: Brown

-----  
△ Unglazed Surface

△ Ground Surface

General tolerance  $\pm 2$  Unless otherwise stated in the Drawing



|         |        |          |      |  |       |         |
|---------|--------|----------|------|--|-------|---------|
|         |        |          |      | Kaiway Electric Industrial Mfg Co.,LTD |       |         |
|         |        |          |      |  |       |         |
| Mark    | Modify | Sign     | Date | Weight                                 | Scale |         |
| Design  |        | Standard |      |  |       |         |
| Check   |        |          |      |  |       | 538885F |
| Process |        | Approve  |      | Page No                                | of    |         |