

Material: Porcelain C100 acc to IEC 672-3

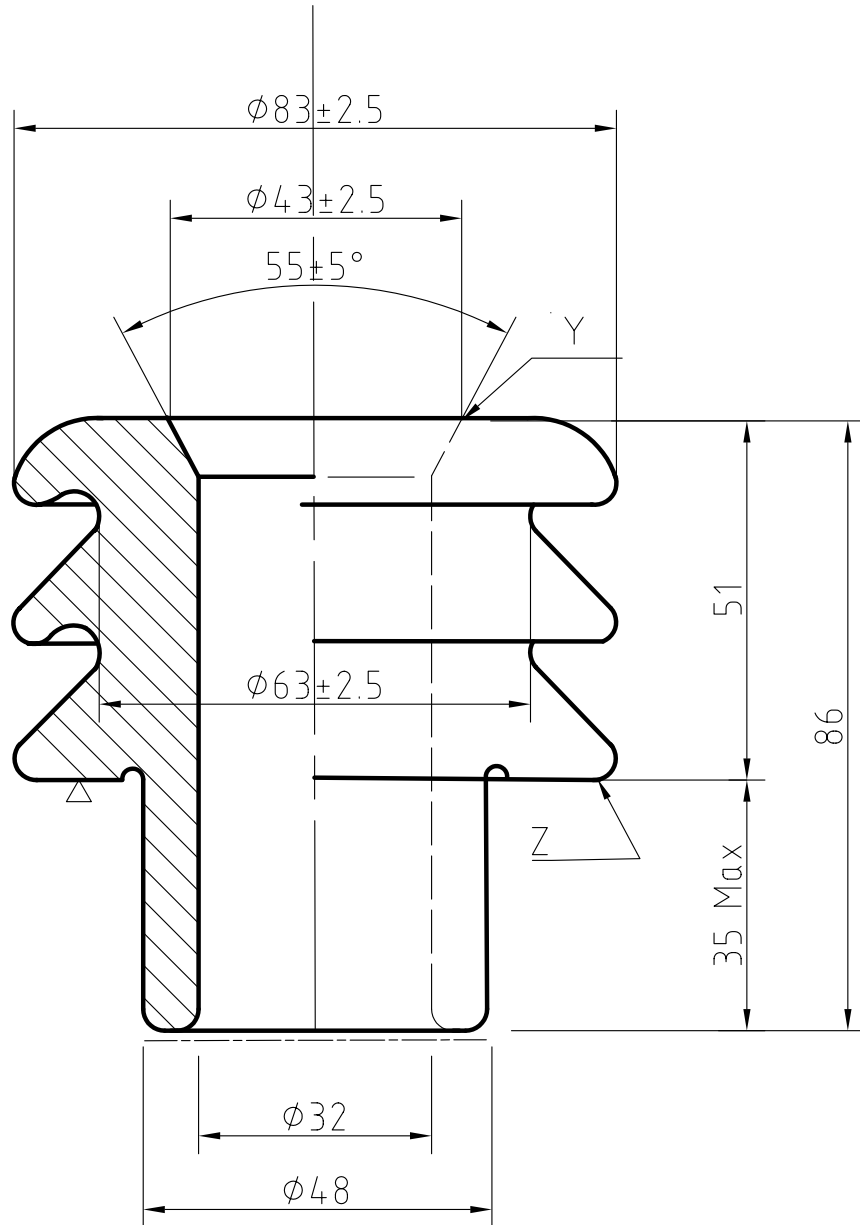
Color: Brown

— Unglazed Surface

△ Ground Surface

Creepage Distance: Y-Z > 90mm

Unless otherwise stated in the Drawing tolerance acc to IEC 383:1983



				Kaiway Electric Industrial Mfg Co.,LTD		
Mark	Modify	Sign	Date	Weight	Scale	
Design		Standard				
Check						5380633
Process		Approve		Page No	of	