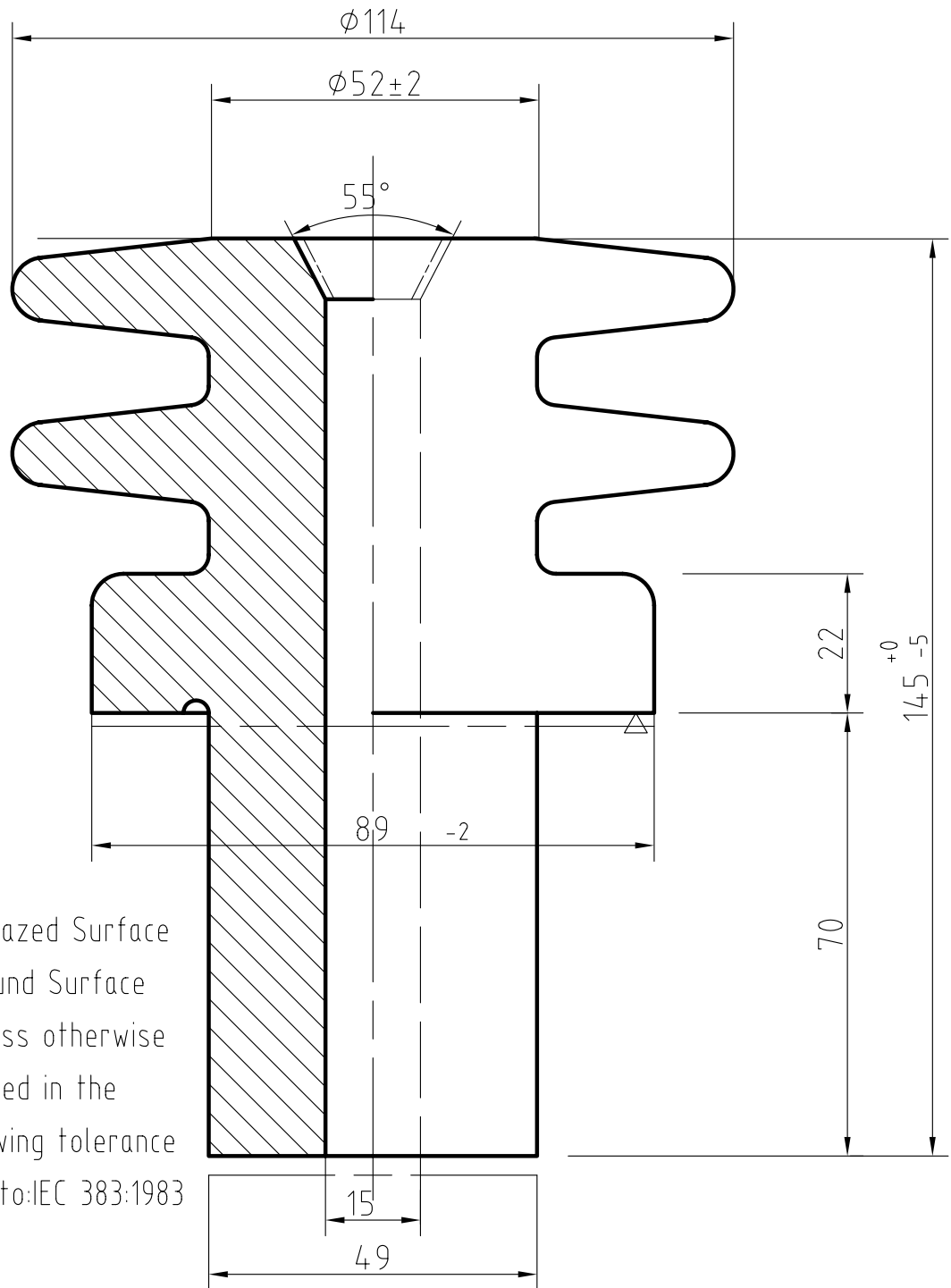


Material: Porcelain C100 acc to IEC 672-3

Color: Brown



Unglazed Surface
 \triangle Ground Surface
 Unless otherwise stated in the Drawing tolerance acc to: IEC 383:1983

				Kaiway Electric Industrial Mfg Co.,LTD		
Mark	Modify	Sign	Date	Weight	Scale	
Design		Standard				
Check						5380384
Process		Approve		Page No	of	