

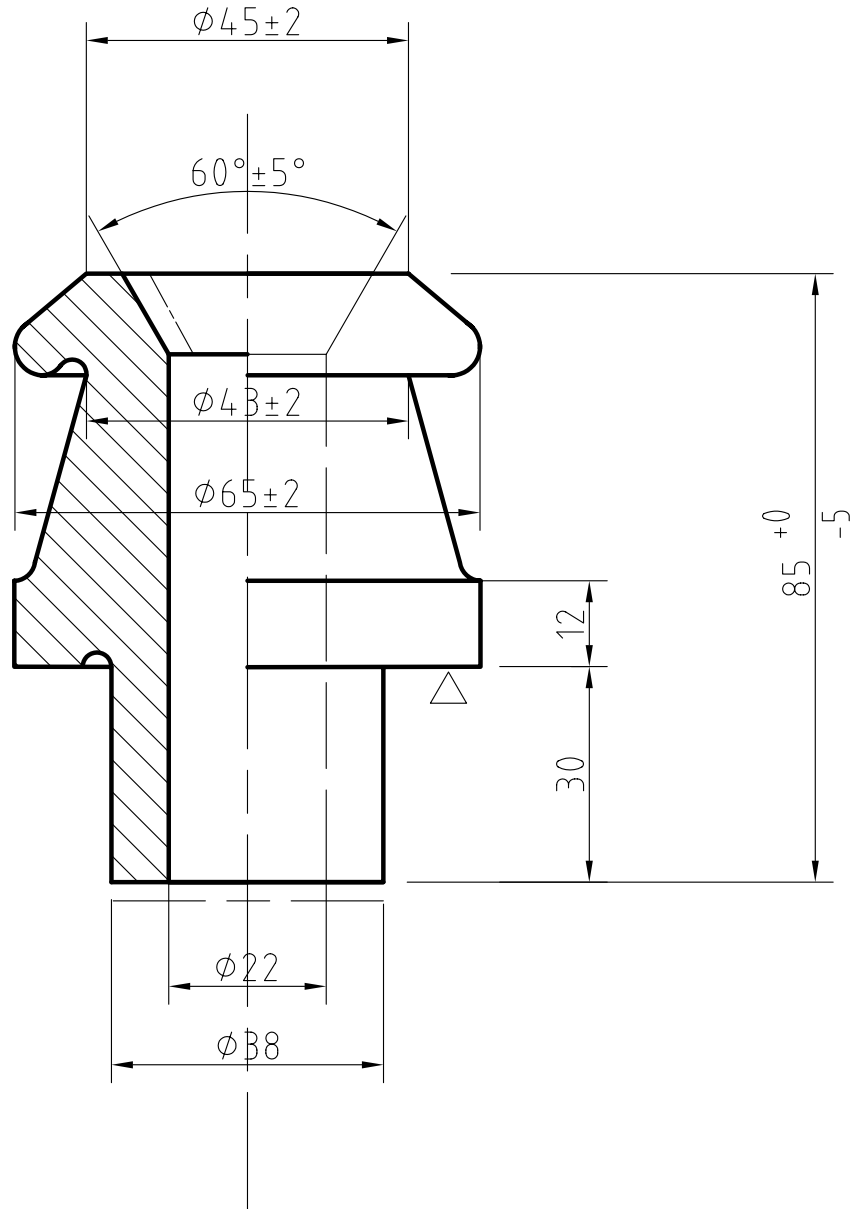
Material: Porcelain C100 acc to IEC 672-3

Color: Brown

Unglazed Surface

△ Ground Surface

Unless otherwise stated in the Drawing tolerance acc to: IEC 383:1983



				Kaiway Electric Industrial Mfg Co.,LTD		
				Porcelain Bushing 1.1KV/630A		
Mark	Modify	Sign	Date	Weight	Scale	
Design		Standard				
Check						5380220
Process		Approve		Page No	of	