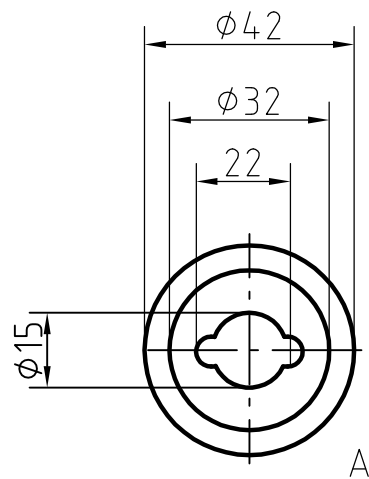
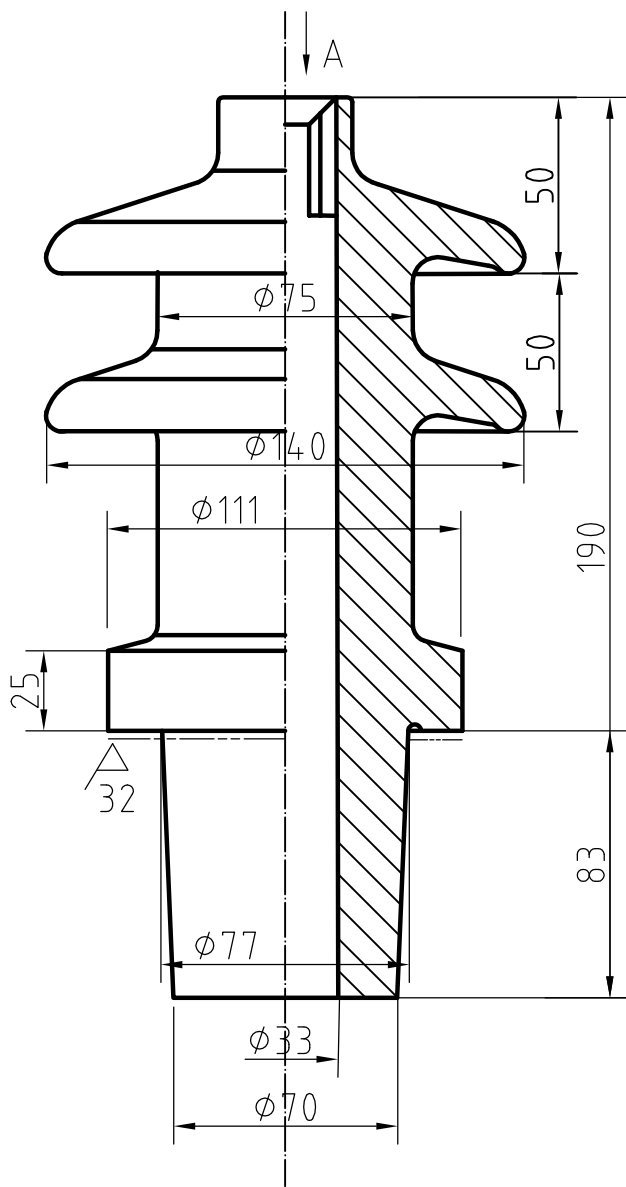


Material: Porcelain complying with C 100 serie of EN HD 426.3 S1  
 Colour: Brown  
 All Dimensions in mm  
 creepage Distance > 260mm



				Kaiway Electric Industrial Mfg Co.,LTD		
				Porcelain Bushing EN50180		
Mark	Modify	Sign	Date	Weight	Scale	TYPE 1
Design		Standard				501801
Check				Page No of		
Process		Approve				