

Material: Porcelain complying with C110 Series of EN HD 426.3 S1

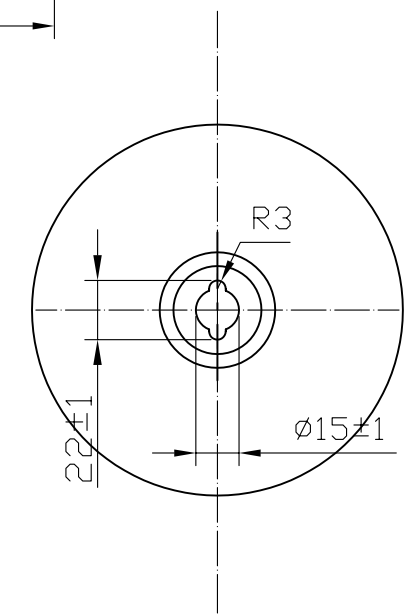
Colour: Brown

Surface Glazed except machined surface, Ground surface and surface marked by ————

All dimensions in mm

Unless otherwise stated in the drawing tolerance according to DIN 40680

Minimum creepage distance A-B=1320mm



				Kaiway Electric Industrial Mfg Co.,LTD 凯威电瓷制造有限公司		
				Porcelain Bushing		
Mark	Modify	Sign	Date	Weight	Scale	33/250 CD1320mm
Design		Standard				531302
Check						
Process		Approve		Page No	of	