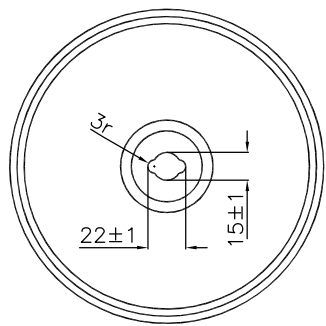


15±2.5°



SPECIFICATION

- APPLIED STANDARD TO DIN 42531
- PROPERTIES OF CERAMIC MATERIAL ACC. TO IEC 672-3.
- TOLERANCE AND DIMENSION ACC. TO DIN 40680
- COLOUR OF GLAZE IS BROWN
- - - - - WITHOUT GLAZE
- △ SURFACE TO BE GROUND FLAT
- ELECTRICAL TEST WITH TEST REPORT
- TESTS ACC. TO STANDARD IEC233
- POWER FREQUENCY WITHSTAND VOLTAGE > 80 KV
- BIL > 170 KV
- CREEPAGE DISTANCE > 580 mm.

				Kaiway Electric Industrial Mfg Co.,LTD		
				Porcelain Bushing DIN42531		
Mark	Modify	Sign	Date	Weight	Scale	531301
Design		Standard				30NF250
Check						
Process		Approve		Page No	of	