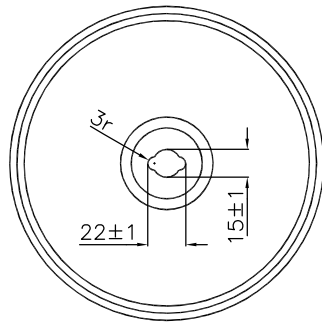


DETAIL A



SPECIFICATION

- APPLIED STANDARD TO DIN 42531
 - PROPERTIES OF CERAMIC MATERIAL ACC. TO IEC 672-3.
 - TOLERANCE AND DIMENSION ACC. TO DIN 40680
 - COLOUR OF GLAZE IS BROWN
 - ——— - ——— WITHOUT GLAZE
 - △ SURFACE TO BE GROUND FLAT
- ELECTRICAL TEST WITH TEST REPORT
- TESTS ACC. TO STANDARD IEC233
 - POWER FREQUENCY WITHSTAND VOLTAGE ≥ 60 KV
 - BIL > 125 KV
 - CREEPAGE DISTANCE > 440 mm.

				Kaiway Electric Industrial Mfg Co.,LTD		
				Porcelain Bushing DIN42531		
Mark	Modify	Sign	Date	Weight	Scale	531202
Design		Standard				20NF250
Check				Page No of		
Process		Approve				