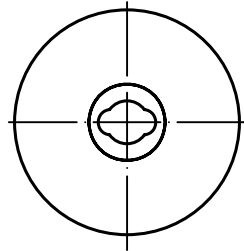


SECTION A-A

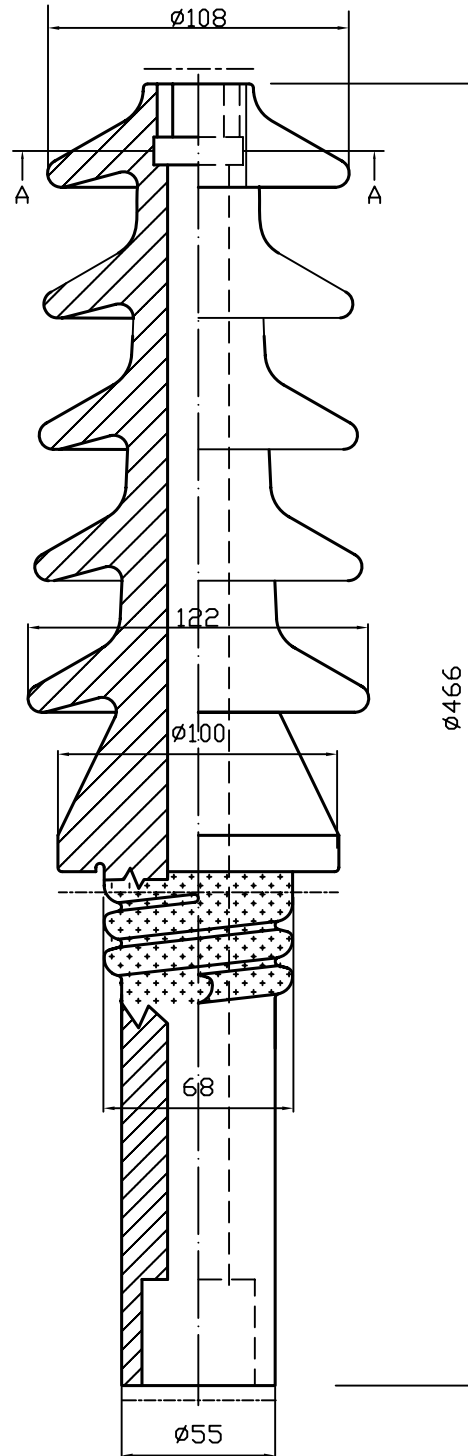


TOP VIEW



DETAIL OF THREAD
Threaded area of
porcelain is unglazed and
coated Electrodag 213
conductive paint

----- Surface Unglazed
Color Munsell Grey 5BG-7.0/0.4
Creepage Distance > 535mm
Tank Hole Diameter = 70mm



				Kaiway Electric Industrial Mfg Co.Ltd		
				Porcelain Bushing for Australia		
Mark	Modify	Sign	Date	Weight	Scale	05-9551
Design		Standard				
Check						
Process		Approve		Page No	of	