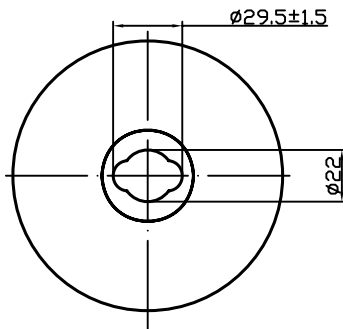
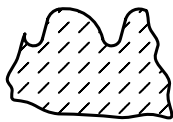


SECTION A-A

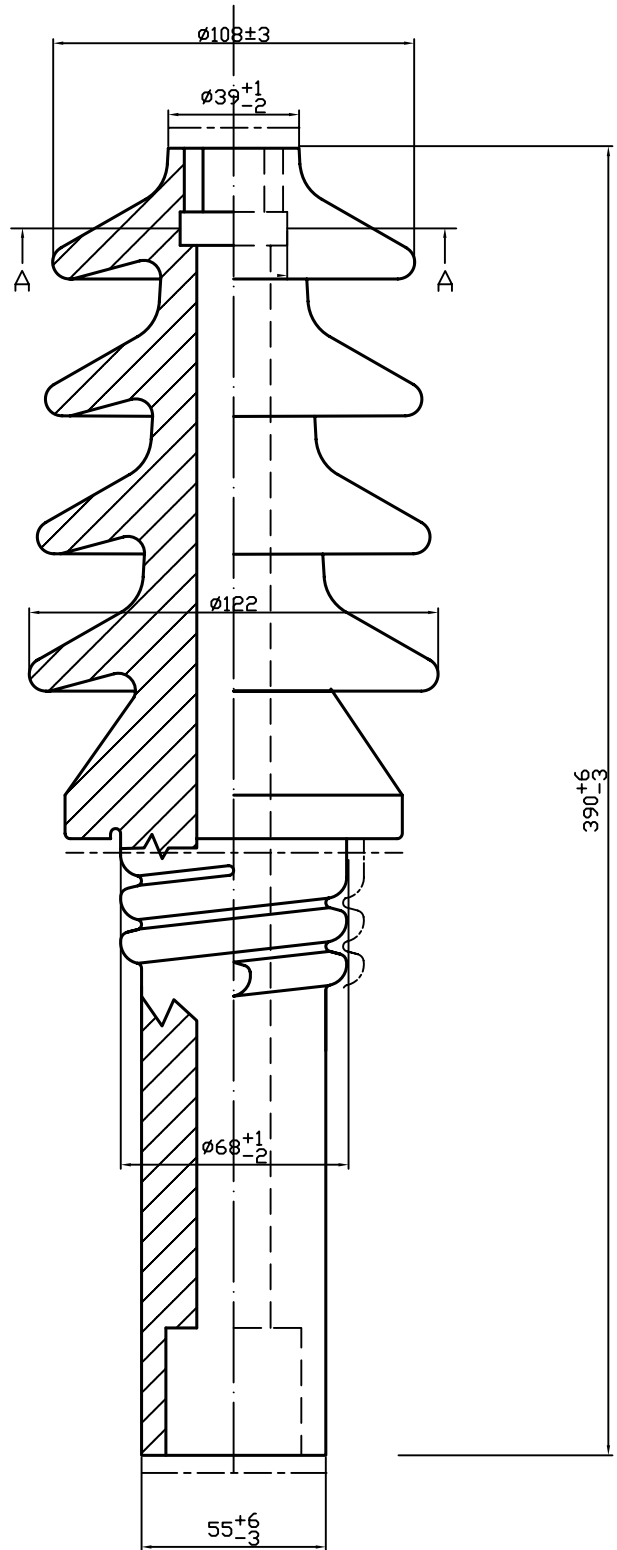


TOP VIEW



DETAIL OF THREAD

----- Surface Unglazed
 Color Munsell Grey 5BG-7.0/0.4
 Creepage Distance > 410mm
 Tank Hole Diameter = 70mm



				Kaiway Electric Industrial Mfg Co.Ltd		
				Porcelain Bushing for Australia		
Mark	Modify	Sign	Date	Weight	Scale	05-8551
Design		Standard				
Check						
Process		Approve		Page No	of	